



Interchangeable Truck Body System

STORAGE BODY



Switch-N-Go.com • 888 311-0867



Features

- High quality prime & wet paint finish
- Lockable security-style doors
- 72" side height & 6" peak roof
- Standard 6" steel rollers
- Custom options available

Distributor Info:

TO FIND A DISTRIBUTOR IN YOUR AREA



STORAGE BODY OPTIONS



Standard Exterior Posts

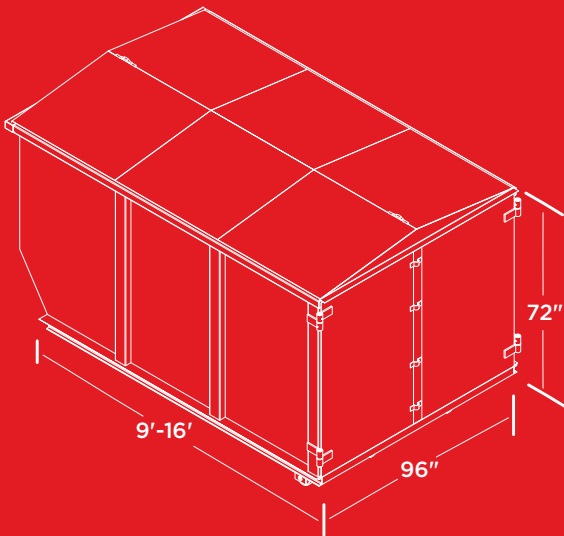


Optional Internal Posts



Welded D-rings

SPECIFICATIONS



BODY DETAILS

EXTERIOR POST	12 GA WITH 5" FORMED POST 36"-48" ON CENTER
INTERIOR POST	3" STRUCTURAL CHANNEL
DOORS	LOCKABLE SECURITY-STYLE WITH 3"x 3" SUPPORTS
CROSSMEMBERS	3" STRUCTURAL CHANNEL 16" ON CENTER
PEAK ROOF	6" HIGH 12 GA SHEETS
TOP RAIL	3" X 3" X 1/8"
FLOOR	10 GA
BULKHEAD	12 GA

Specifications are subject to change with or without notice. Products not warranted for any specific purpose.