



Interchangeable Truck Body System

CHIPPER BODY



Switch-N-Go.com • 888 311-0867



Features

- High quality powder coated finish up to 14'
- Sloped front for easy clean out
- Rear gate available in three heights
- Removeable chipper roof
- Standard 6" steel rollers
- Custom options available

Distributor Info:

TO FIND A DISTRIBUTOR IN YOUR AREA





CHIPPER BODY OPTIONS



Optional Rear Cover Plate



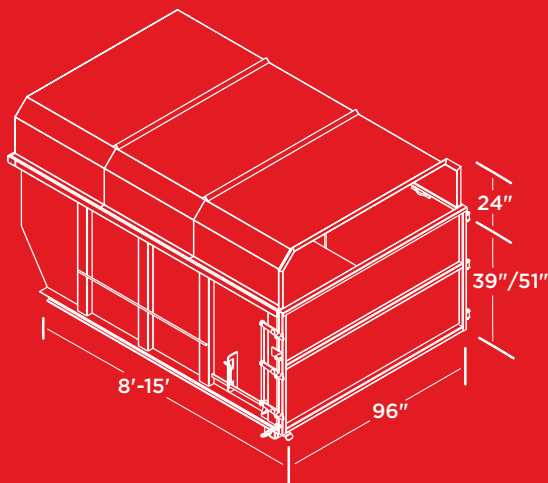
Removeable Chipper Roof



Single Swing or Barn Doors with Optional 51", 36" or 24" Heights



SPECIFICATIONS



	MEDIUM DUTY	HEAVY DUTY
FLOOR	10 GA	3/16"
TOP RAIL	3" x 3" x 1/8" TUBING	3" x 3" x 3/16" TUBING
SIDE POSTS	2-3 POSTS PER SIDE 12 GA SHEET	30"-36" ON CENTER 12 GA SHEET
TAILGATE	2" X 2" x 1/8" TUBULAR FRAME WORK FORMED 12GA SHEET	3" X 3" x 3/16" FORMED 10 GA CROSS TUBE
ROOF	12 GA SHEET 24" HIGH WITH TOP SUPPORT 2" X 2" X 3/16" ANGLE MESH VENTS ON BOTH SIDES	
BULKHEAD	12 GA	

Specifications are subject to change with or without notice. Products not warranted for any specific purpose.